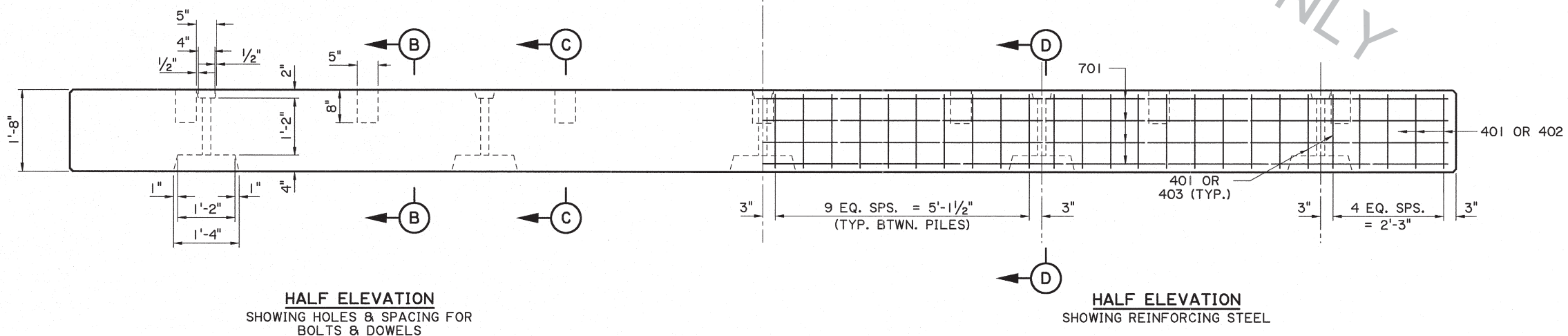
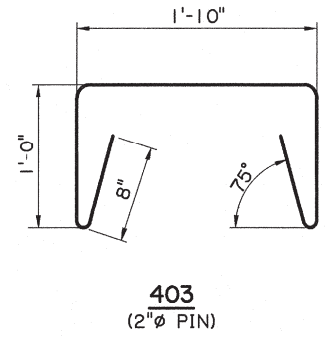
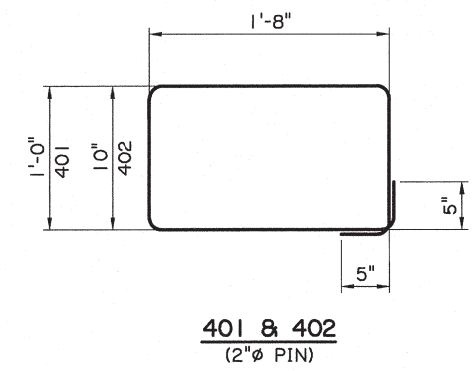
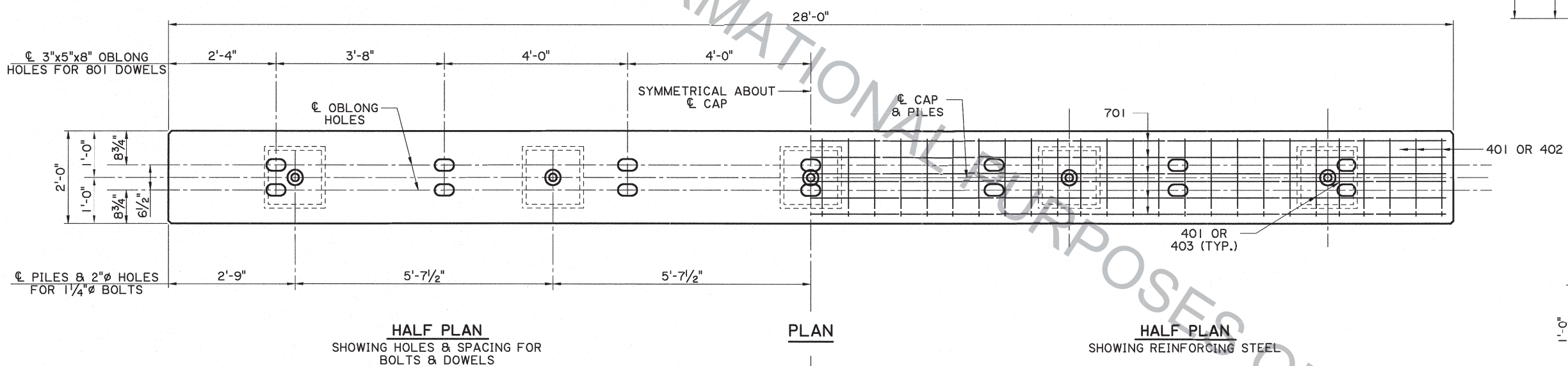


* 1" CLEAR FOR 403 BARS

ESTIMATED QUANTITIES (ONE SINGLE ROW CAP)				
BAR	NO.	UNIT LENGTH	TOTAL LENGTH	LOCATION
701	16	27'-8"	442'-8"	LONGIT. IN CAP
TOTAL NO. 7 BARS = 442'-8" = 905 LBS.				
401	50	6'-2"	308'-4"	UPPER STIRRUPS
402	40	5'-10"	233'-4"	LOWER STIRRUPS
403	10	5'-2"	51'-8"	LOWER STIRRUPS ABOVE PILES
404	4	4'-3"	17'-3"	LONGIT. IN CAP BTWN. PILES
TOTAL NO. 4 BARS = 610'-7" = 408 LBS.				
TOTAL DEFORMED REINFORCING STEEL = 1313 LBS.				
TOTAL CLASS "PI" CONCRETE = 3.33 CU. YDS.				



STATE OF LOUISIANA
 JUSTIN C. PELTIER
 License No. 34765
 PROFESSIONAL ENGINEER
 IN
 CIVIL ENGINEERING
 2/25/2013

SHEET NUMBER

DESIGNED J. PELTIER
 CHECKED M. HEBERT
 REVISION OR CHANGE ORDER DESCRIPTION

PARISH CONTROL SECTION
 STATE PROJECT

UPDATED FOR 2016 SPECIFICATIONS

NO. 03-01-17 DATE

BY K.M.B.

BRIDGE 8 STRUCTURAL DESIGN